

FOCUSLITE®



ISO 9001:2000



Company address: No.91 ,Nantou Ave. Dong, Nantou town,Zhongshan City, China 528427

Company address: Show room address : No. S-11,Y23 building ,England cluster,International city,50819 Dubai
UAE

FOCUSLITE[®]



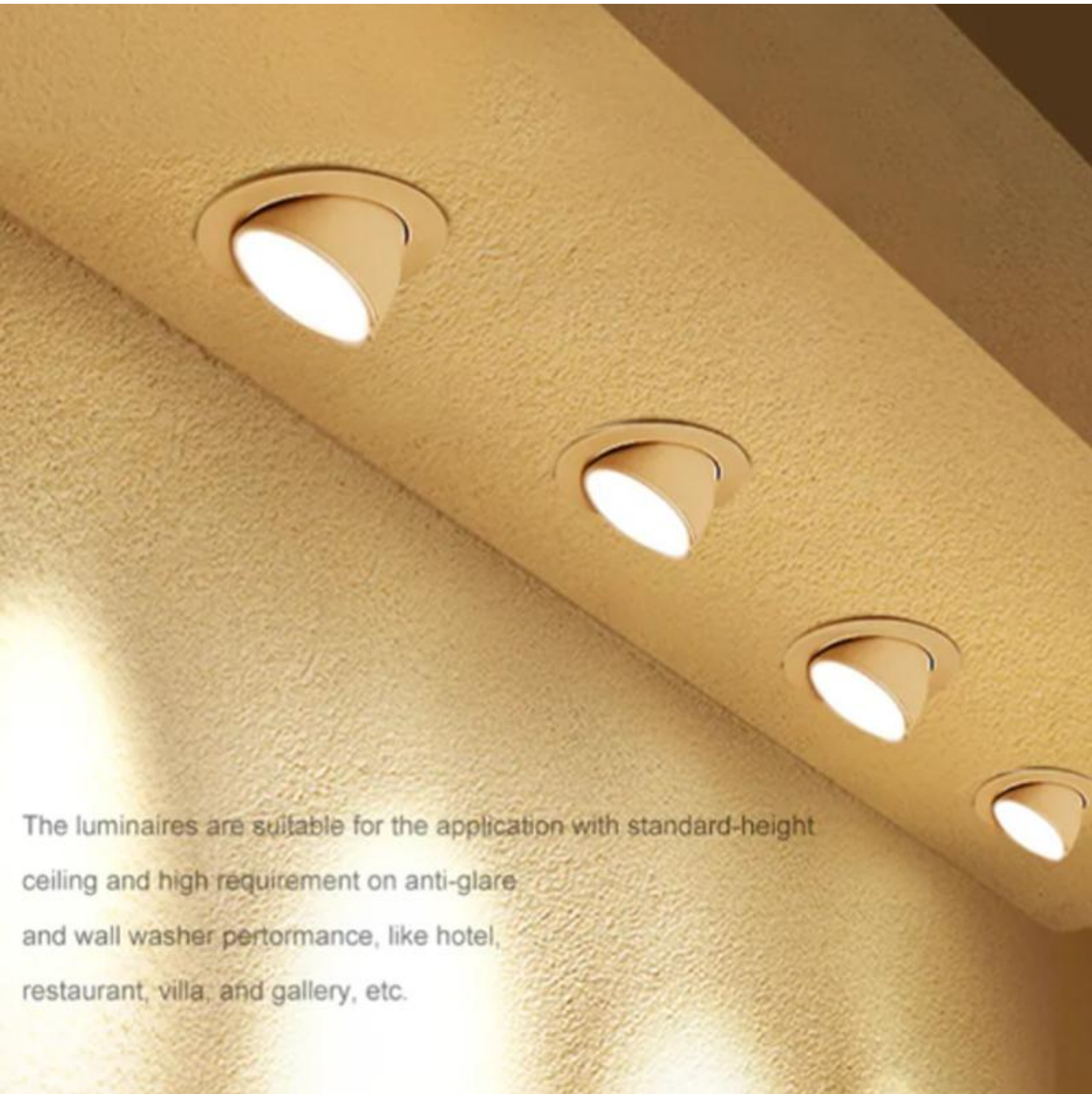
ISO 9001:2000



Company address: No.91 ,Nantou Ave. Dong, Nantou town,Zhongshan City, China 528427

Company address: Show room address : No. S-11,Y23 building ,England cluster,International city,50819 Dubai
UAE

FOCUSLITE®



The luminaires are suitable for the application with standard-height ceiling and high requirement on anti-glare and wall washer performance, like hotel, restaurant, villa, and gallery, etc.



ISO 9001:2000



Company address: No.91 ,Nantou Ave. Dong, Nantou town,Zhongshan City, China 528427

Company address: Show room address : No. S-11,Y23 building ,England cluster,International city,50819 Dubai
UAE

FOCUSLITE®



Deep anti-glare design

Optical lens + deep cup anti-glare + independent power supply



ISO 9001:2000



Company address: No.91 ,Nantou Ave. Dong, Nantou town,Zhongshan City, China 528427

Company address: Show room address : No. S-11,Y23 building ,England cluster,International city,50819 Dubai
UAE

STRUCTURE DIAGRAM



ISO 9001:2000



Company address: No.91 ,Nantou Ave. Dong, Nantou town,Zhongshan City, China 528427

Company address: Show room address : No. S-11,Y23 building ,England cluster,International city,50819 Dubai UAE

FOCUSLITE[®]

Two-way Angle is adjustable

The lamp body can be rotated horizontally by 360°
by adjusting about 90°



ISO 9001:2000



Company address: No.91 ,Nantou Ave. Dong, Nantou town,Zhongshan City, China 528427

Company address: Show room address : No. S-11,Y23 building ,England cluster,International city,50819 Dubai
UAE

FOCUSLITE[®]



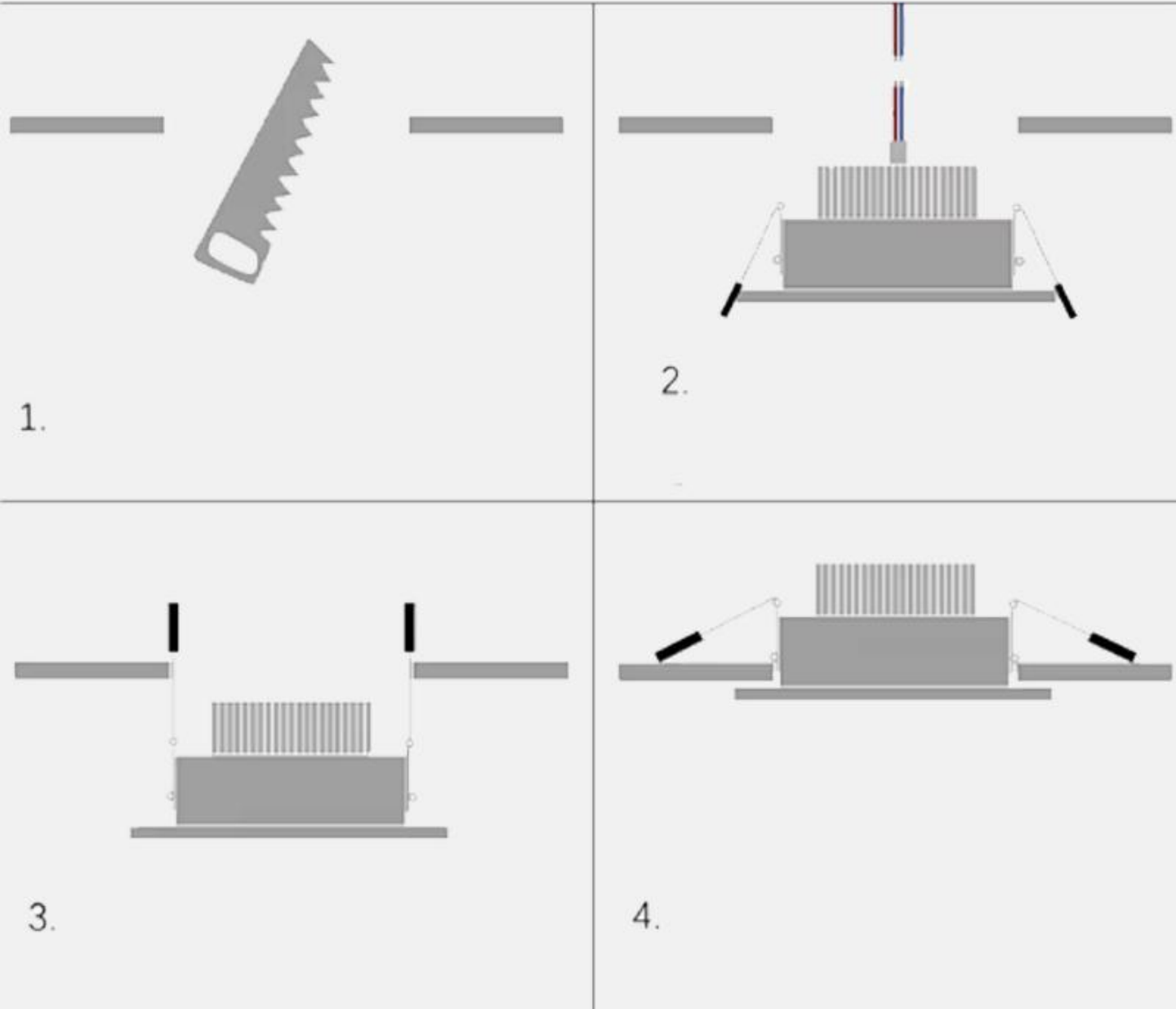
ISO 9001:2000



Company address: No.91 ,Nantou Ave. Dong, Nantou town,Zhongshan City, China 528427

Company address: Show room address : No. S-11,Y23 building ,England cluster,International city,50819 Dubai
UAE

Installation



ISO 9001:2000



Company address: No.91 ,Nantou Ave. Dong, Nantou town,Zhongshan City, China 528427

Company address: Show room address : No. S-11,Y23 building ,England cluster,International city,50819 Dubai
UAE

FOCUSLITE®

FCS-Trunk/Lens Grille Trunk Lamp

FCS-Trunk/Lens Grille Trunk Lamp

Description:

Recessed elephant trunk lamp (360-degree universal adjustment, adjustable angle).

Surface treatment: sand white.

Material/process: aluminum/integrated die-casting.

Voltage: ADC12.

Beam angle: 10° /15° /23° /24° /36° /38° /60° .

Adaptable light source bracket: 1507/1816/1820/2520/020/030.

SPECIFICATIONS

Lamp model	3 inch elephant trunk lamp-1/2/3	4 inch elephant trunk lamp-1/2/3	5 inch elephant trunk lamp-1/2/3	3 inch lens elephant trunk lamp-1/2/3	4 inch lens elephant trunk lamp-1/2/3	5 inch lens elephant trunk lamp-1/2/3
diameter	115*115/230*115/350*15MM	138*138/278*138/417*138MM	163*163/330*163/495*163MM	115*115/230*115/350*15MM	138*138/278*138/417*138MM	163*163/330*163/495*163MM
opening	100*100/215*100/335*100MM	125*125/263*125/400*125MM	150*150/315*150/480*150MM	100*100/215*100/335*100MM	125*125/263*125/400*125MM	150*150/315*150/480*150MM
Height	95MM	125MM	145MM	95MM	125MM	145MM
Power	15/2*15/3*15W	25/2*25/3*25W	35/2*35/3*35W	15/2*15/3*15W	25/2*25/3*25W	35/2*35/3*35W
Beam angle of light	10° /15° /23° /24° /36° /38° /60°					



ISO 9001:2000



Company address: No.91 ,Nantou Ave. Dong, Nantou town,Zhongshan City, China 528427

Company address: Show room address : No. S-11,Y23 building ,England cluster,International city,50819 Dubai UAE